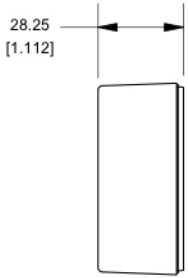
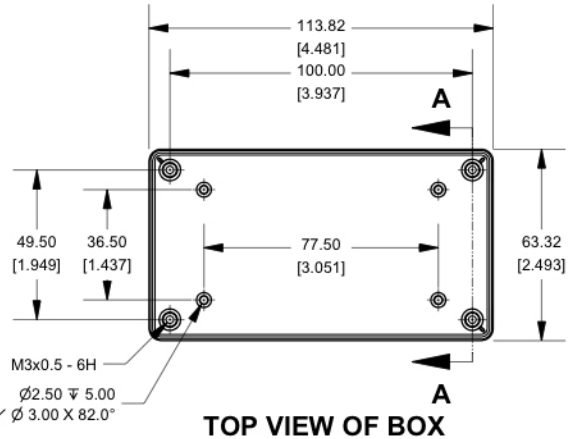


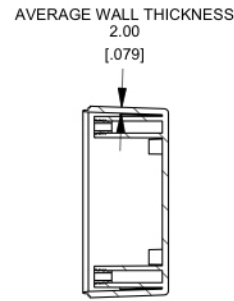
# 82x Series Casing



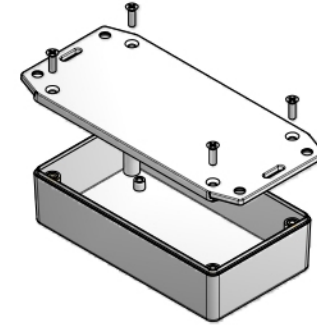
SIDE VIEW OF BOX



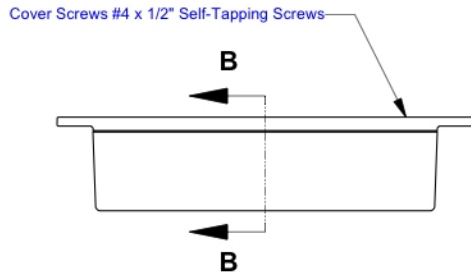
TOP VIEW OF BOX



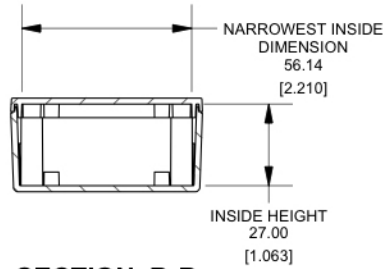
SECTION A-A



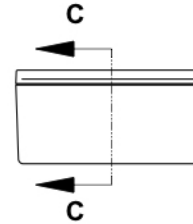
EXPLODED VIEW OF ENCLOSURE



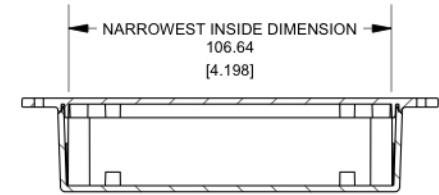
SIDE VIEW OF ENCLOSURE



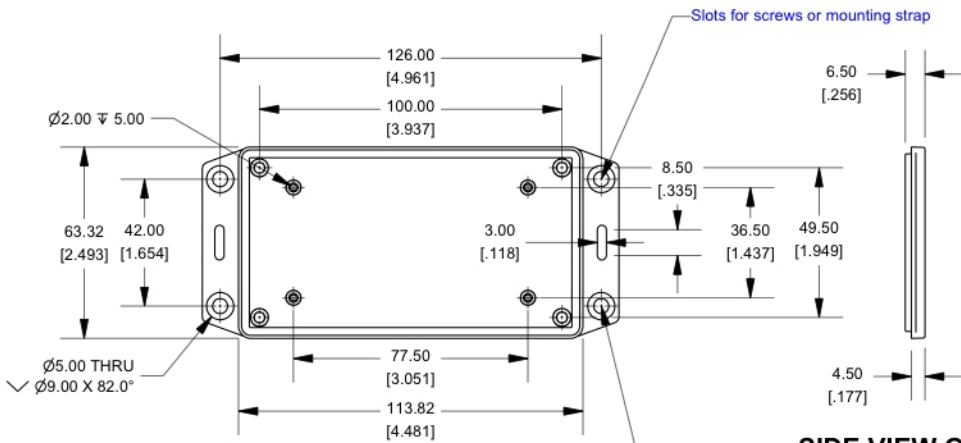
SECTION B-B



END VIEW OF ENCLOSURE

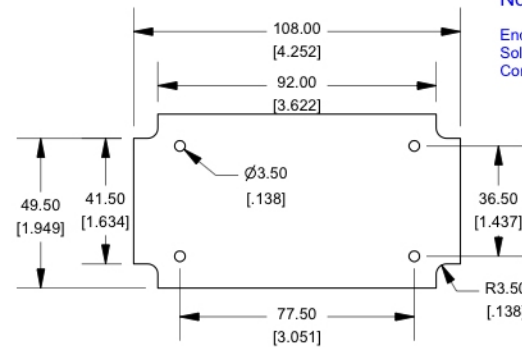


SECTION C-C



BOTTOM VIEW OF LID

SIDE VIEW OF LID



Max Size PCB. Fits in Box or in Lid.  
Not supplied with Enclosure